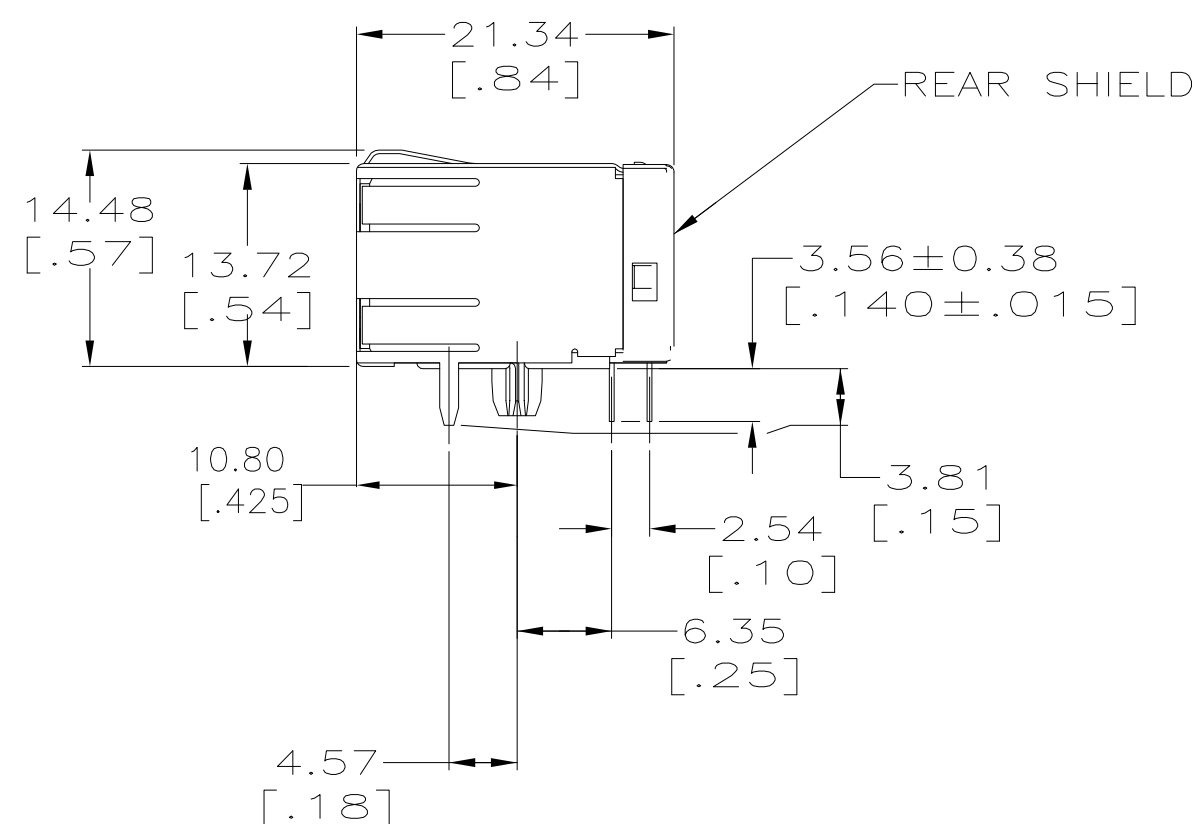
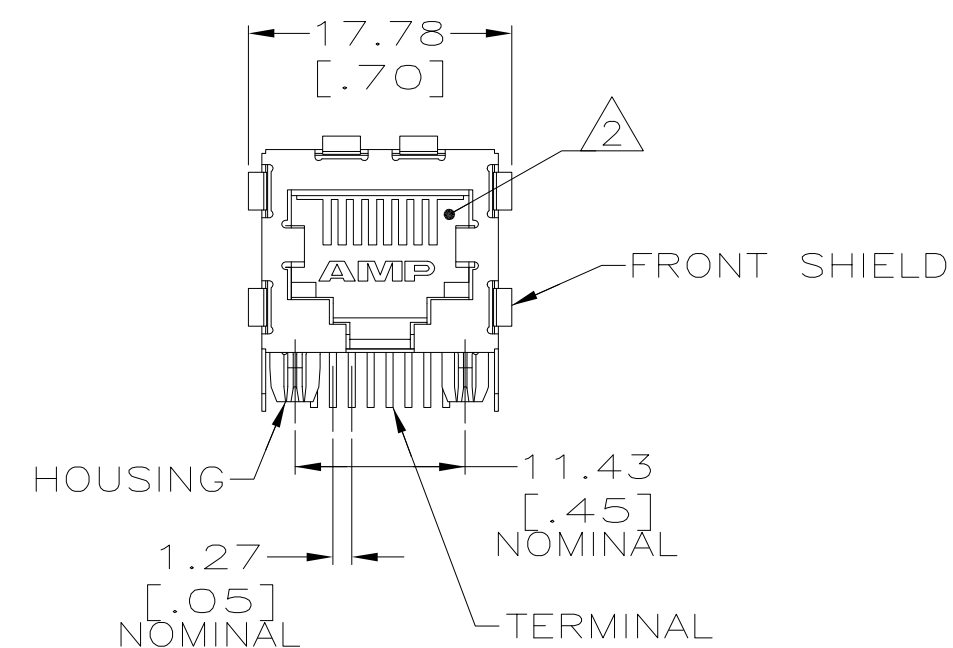


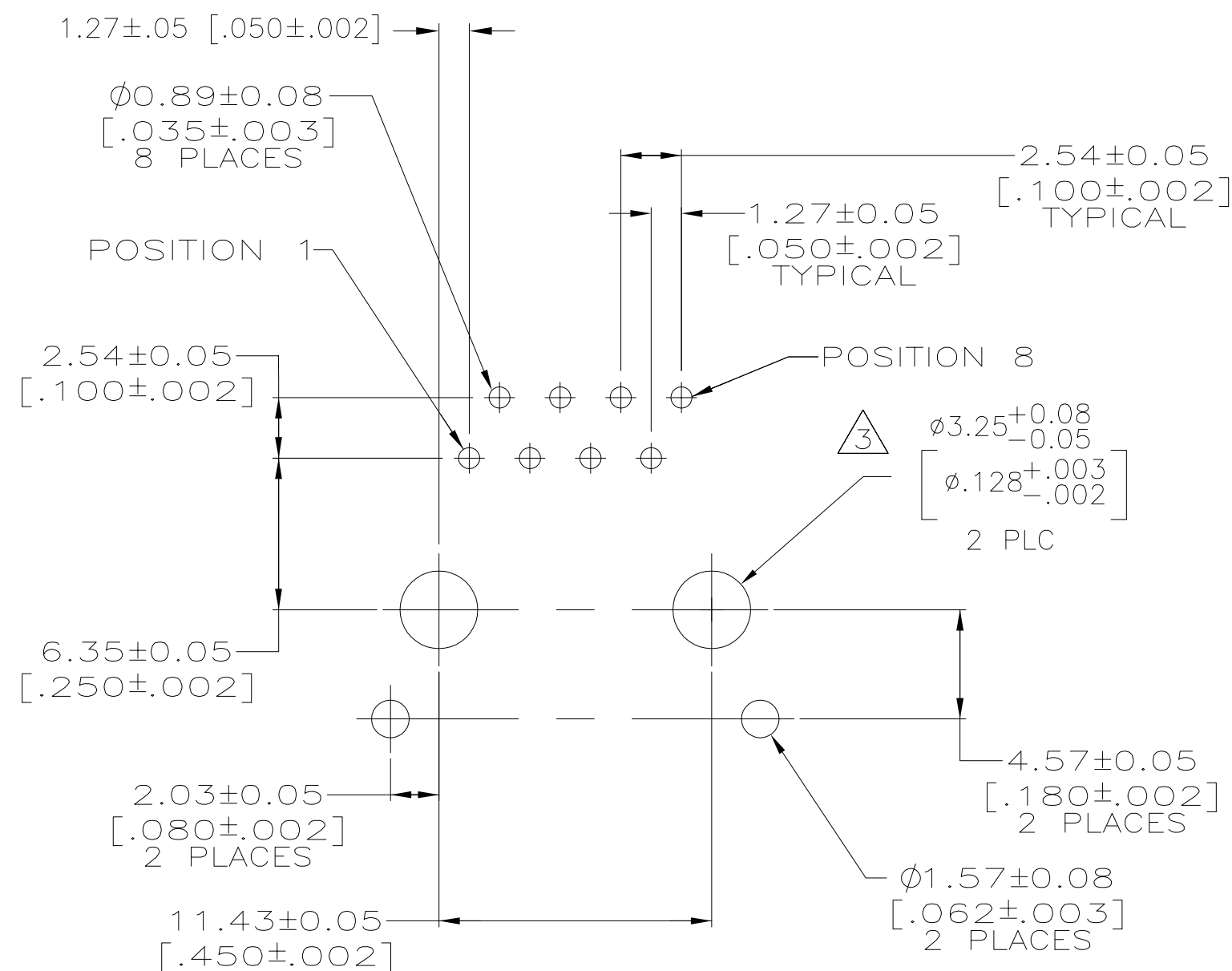
THIS DRAWING IS UNPUBLISHED. RELEASED FOR PUBLICATION  
 © COPYRIGHT - By - ALL RIGHTS RESERVED.

| LOC | DIST | REVISIONS     |           |     |      |
|-----|------|---------------|-----------|-----|------|
| P   | LTR  | DESCRIPTION   | DATE      | DWN | APVD |
| AA  | 00   |               |           |     |      |
|     | D    | ECO-15-006888 | 06MAY2015 | LL  | SH   |

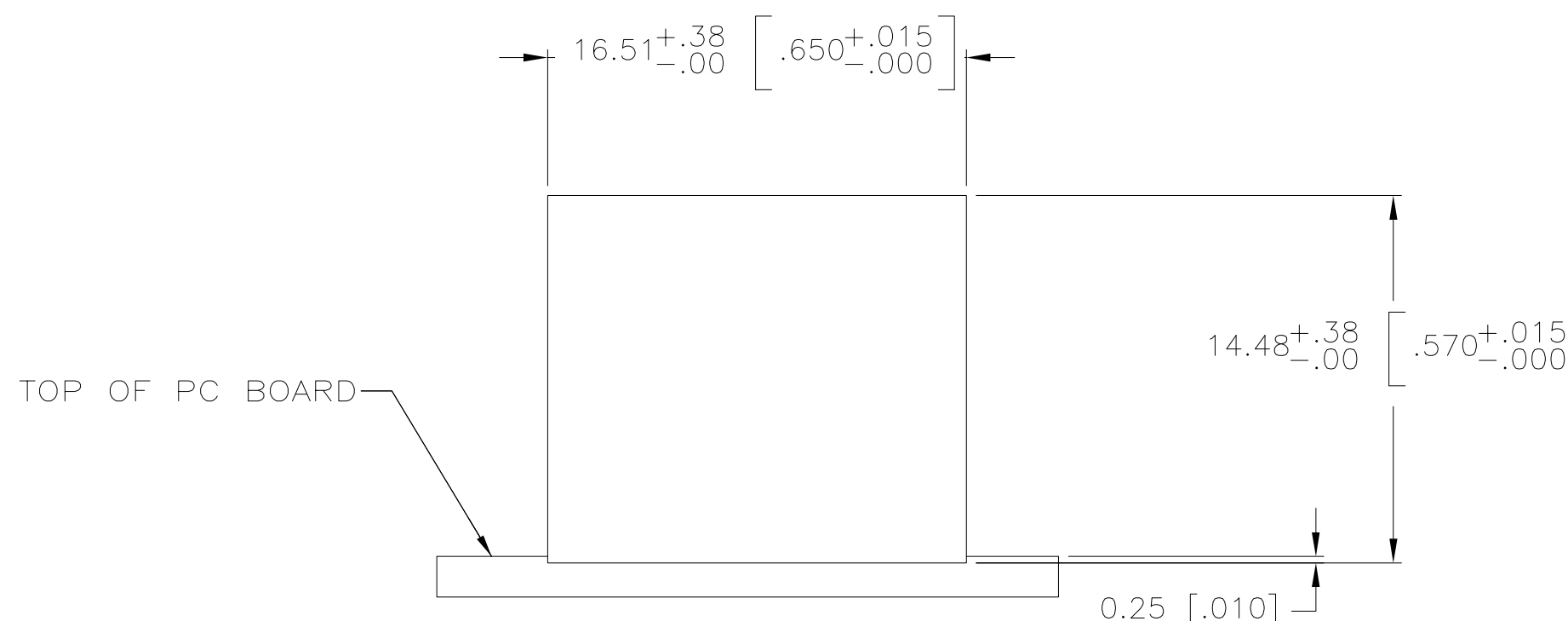


- 1 MATERIAL: HOUSING - NYLON, COLOR: BLACK, UL 94V-0.  
 OVERMOLDED TERMINAL ARRAY - PBT, BROWN.  
 TERMINALS - 0.33[.013] THICK PHOS BRONZE PLATED WITH 1.27µm[.000050] MINIMUM THICK HARD GOLD IN LOCALIZED AREA AND 3.81µm [.000150] MINIMUM THICK MATTE TIN IN SOLDER AREA OVER 1.27µm[.000050] MINIMUM THICK NICKEL UNDERPLATE.  
 SHIELDS - 0.25[.010] THICK COPPER ALLOY PLATED WITH 1.27µm[.000050] MINIMUM NICKEL AND 2.03 µm [.000080] MINIMUM HOT TIN DIP ON PCB GROUND TABS.

- △ JACK CAVITY CONFORMS TO FCC RULES AND REGULATIONS, PART 68 SUBPART F.
- △ USE #30 DRILL BIT OR 3.25mm DRILL BIT WHEN PRODUCING THESE PCB HOLES.
- △ DIELECTRIC WITHSTANDING VOLTAGE BETWEEN SHIELD AND TERMINAL IS 1500 VAC
- △ DIELECTRIC WITHSTANDING VOLTAGE BETWEEN SHIELD AND TERMINAL IS 2400 VAC



RECOMMENDED PC BOARD LAYOUT  
 COMPONENT SIDE (TOP)  
 SCALE 4:1



RECOMMENDED PANEL CUTOUT  
 SCALE 4:1

|      |             |
|------|-------------|
| △5   | 5406217-2   |
| △4   | 5406217-1   |
| NOTE | PART NUMBER |

|  |  |                              |            |   |            |
|--|--|------------------------------|------------|---|------------|
| THIS DRAWING IS A CONTROLLED DOCUMENT. |  | DWN<br>I. SPRINKLE/L.A.MAYER | 01JUNE2005 | TE Connectivity   |            |
| DIMENSIONS:<br>mm                      |  | CHK<br>J.WESTMAN             | 01JUNE2005 | NAME  |            |
| TOLERANCES UNLESS OTHERWISE SPECIFIED: |  | APVD<br>S.FLICKINGER         | 01JUNE2005 | MODULAR JACK ASSEMBLY, SINGLE PORT,<br>8 POSITION, SHIELDED,<br>REVERSE PANEL GROUND TABS, CATEGORY 5 |            |
| 0 PLC ± -                              |  | PRODUCT SPEC                 | 108-1163-2 | SIZE  | CAGE CODE  |
| 1 PLC ± -                              |  | APPLICATION SPEC             | 114-2048   | 00779   | DRAWING NO |
| 2 PLC ± 0.25[.01]                      |  | WEIGHT                       | -          | G=5406217   |            |
| 3 PLC ± 0.13[.005]                     |  | CUSTOMER DRAWING             | SCALE      | SHEET   | REV        |
| 4 PLC ± -                              |  |                              | 2:1        | 1 of 1  | D          |
| ANGLES ± -                             |  |                              |            |   |            |
| FINISH                                 |  |                              |            |   |            |
| SEE NOTE 1                             |  |                              |            |   |            |